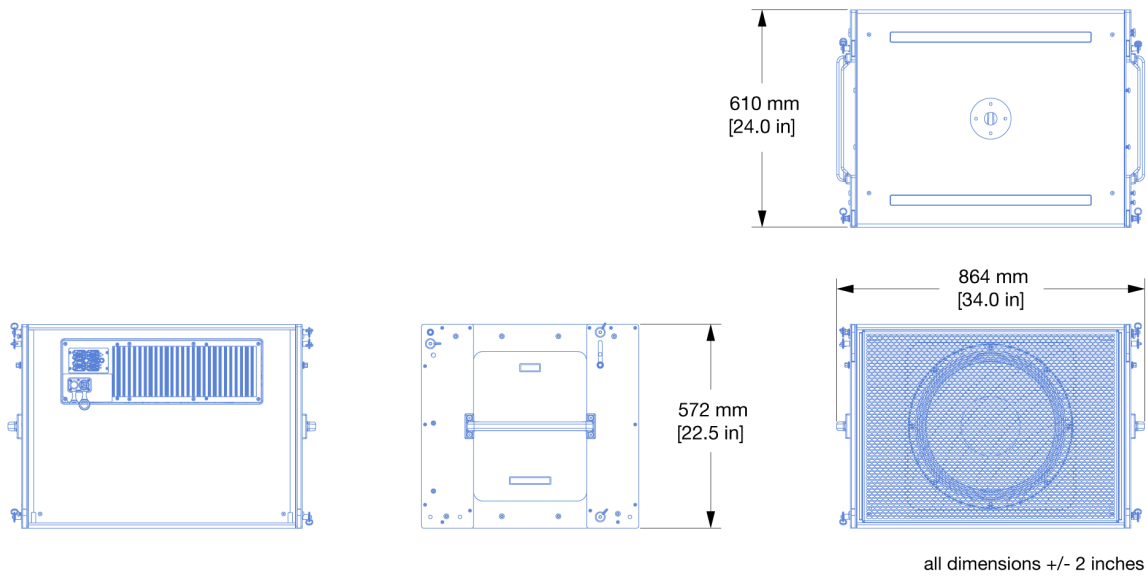


Preliminary Product Information — 1800-LFC



Medium-format low-frequency control element

1800-LFC dimensions



1800-LFC specifications

ACOUSTICAL	
Operating frequency range	30 Hz – 125 Hz
AES75 maximum linear sound levels	124 dBZ, 134 dBZpk, with an RMS input level of +3.7 dBV, half space, +/- 2 dB
TRANSDUCERS	
Low-frequency	One 18-inch long-excursion cone driver
PHYSICAL	

Dimensions	W: 34 in (864 mm) x H: 22.5 in (572 mm) x D: 24 in (610 mm)
Weight	140 lbs (64 kg), +/- 10 lbs (5 kg)
Enclosure	Premium multi-ply birch, slightly textured black finish
Protective grille	Powder-coated, stamped steel.
Rigging	End frames with captive GuideALinks secured with 0.375 x 0.75 inch quick-release pins; detachable side handles
IEC ingress protection rating (IP rating)	IP55 when connected to cables terminated with Neutrik TOP connectors
AC POWER	
Connector	Neutrik powerCON TRUE1 TOP (True Outdoor Protection)
Operating voltage range	100 - 240 V AC, 50 - 60 Hz
ANALOG AUDIO INPUT¹	
Connector	Neutrik XLR 3-pin TOP (True Outdoor Protection) female input with male loop output
Input level	Source must be capable of producing +24 dBU into 50 Ω to produce the maximum peak SPL over the operating bandwidth of the loudspeaker
DIGITAL AUDIO INPUT¹	
Connector	Neutrik etherCON TOP (True Outdoor Protection)
Digital format	Milan AVB, AES67 (SMPTE ST 2110-30)
MONITORING	
Telemetry	Loudspeaker telemetry transmitted via the Ethernet port, displayed in software

Notes

1. Both analog and digital audio inputs are provided as standard.

Meyer Sound Laboratories, Inc.
2832 San Pablo Avenue
Berkeley, CA 94702

+1 510 486.1166
meyersound.com/contact
meyersound.com

**Preliminary Product Information —
1800-LFC**
PN: 04.338.004.01 B 2603
Copyright © 2026
All Rights Reserved